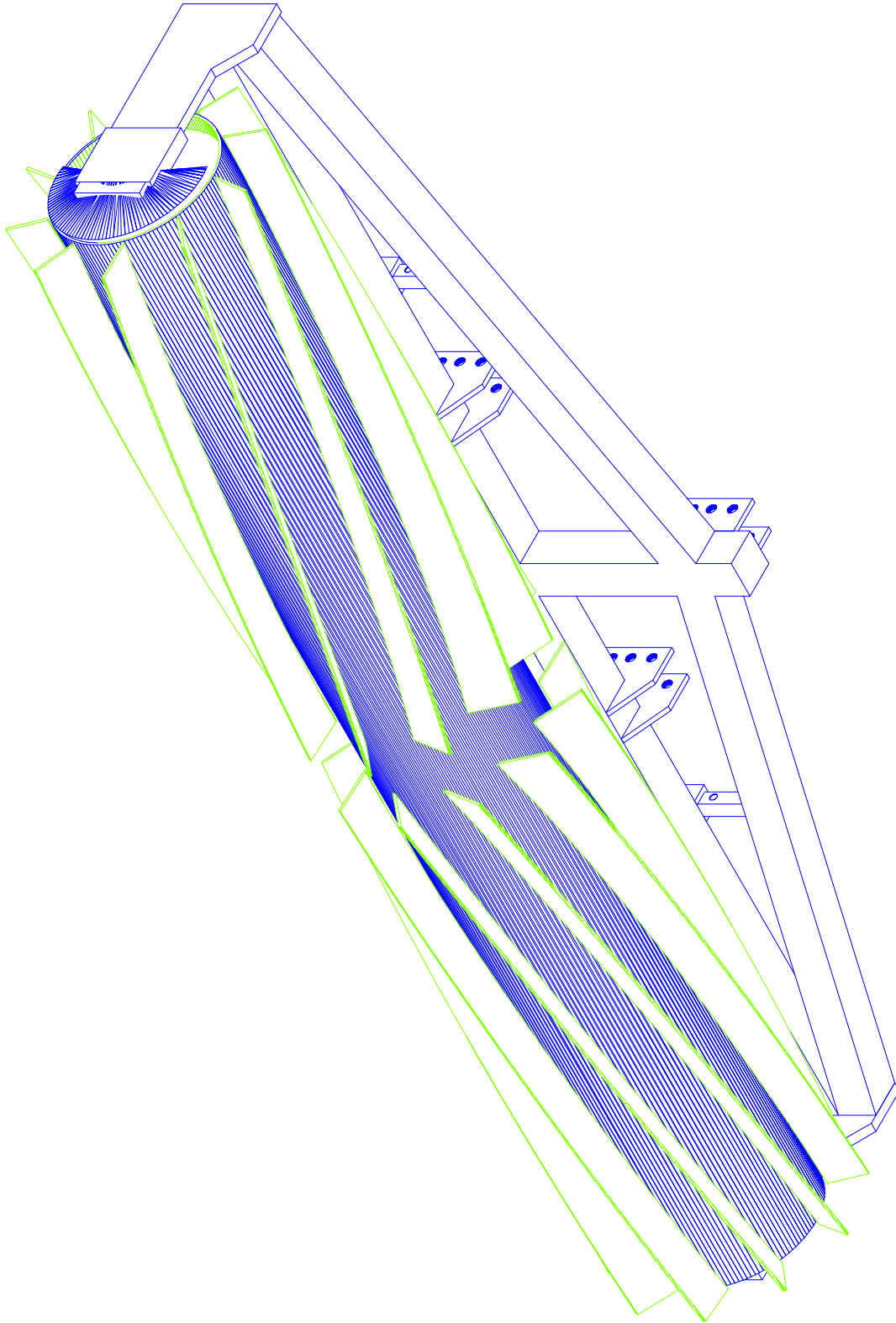
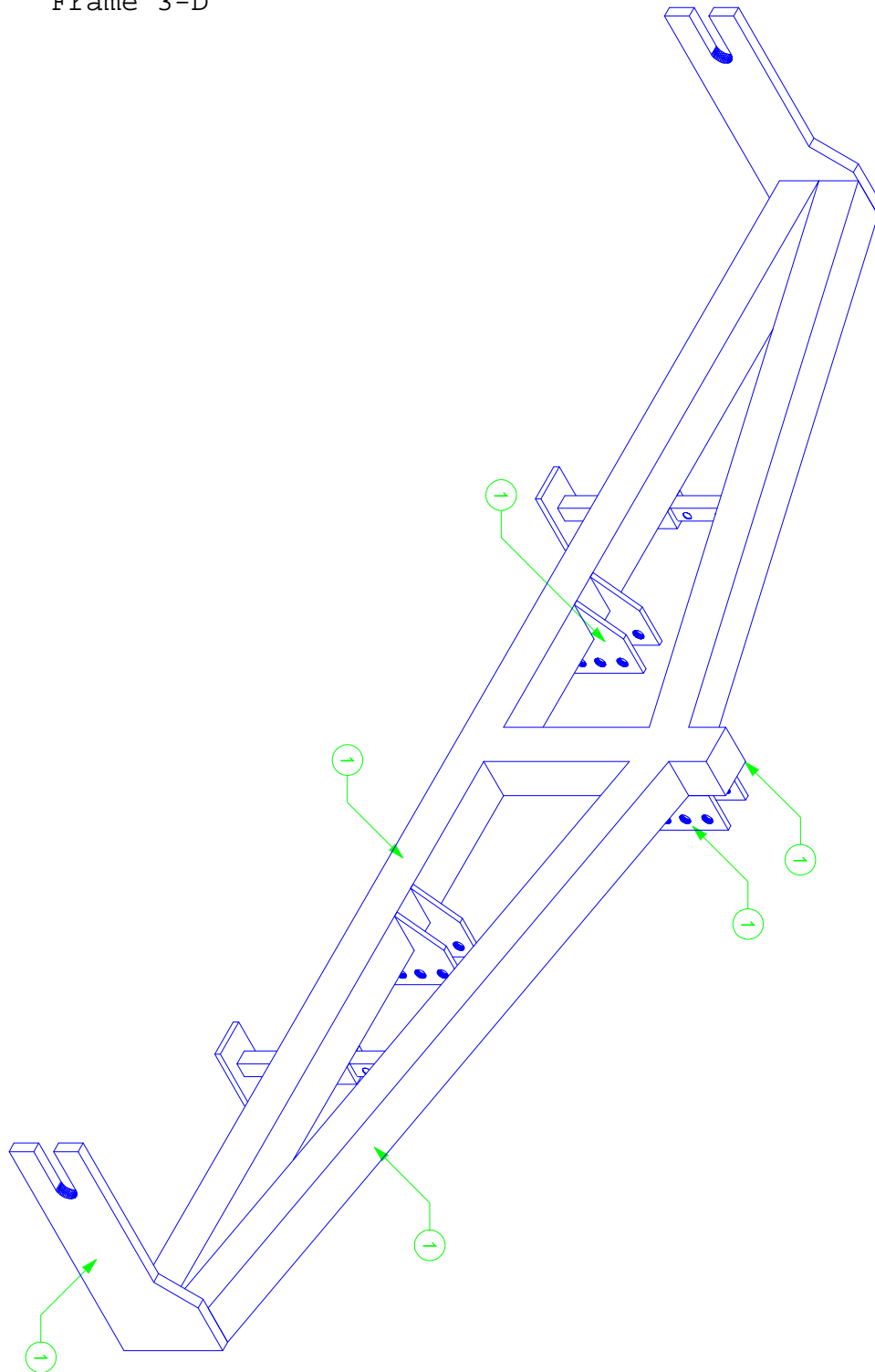


Main R&F



SHEETS	DATE:	RODALE CROP ROLLER	COMPANY ADDRESS CITY, STATE, ZIP BERKS TECHNICAL INSTITUTE DRAFTING DEPARTMENT 2205 RIDGEWOOD ROAD WYOMISSING, PA 19010 PHONE NO. (800)821-4662	NO.	DATE	REVISIONS
	DRAWN BY:	NOTES:				
	JOB NO.:					
	SCALE:					
	SHEET:					

Frame 3-D



DATE: _____
 DRAWN BY: _____
 JOB NO.: _____
 SCALE: _____
 SHEET: _____

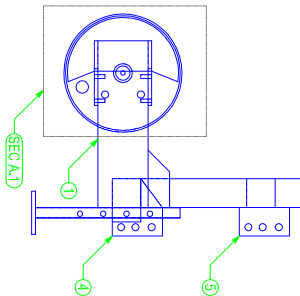
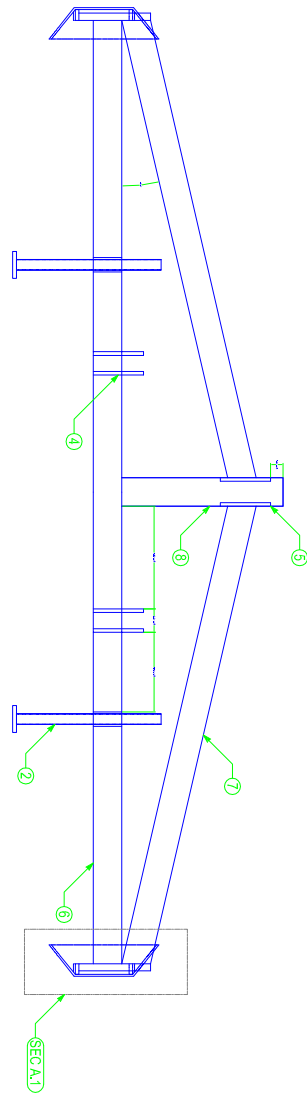
RODALE CROP ROLLER

NOTES:

COMPANY
 ADDRESS
 CITY, STATE, ZIP
 BERKS TECHNICAL INSTITUTE
 DRAFTING DEPARTMENT
 2205 RIDGEWOOD ROAD
 WYOMISSING, PA 19010
 PHONE NO. (800)821-4662

NO.	DATE	REVISIONS

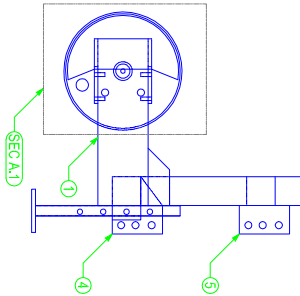
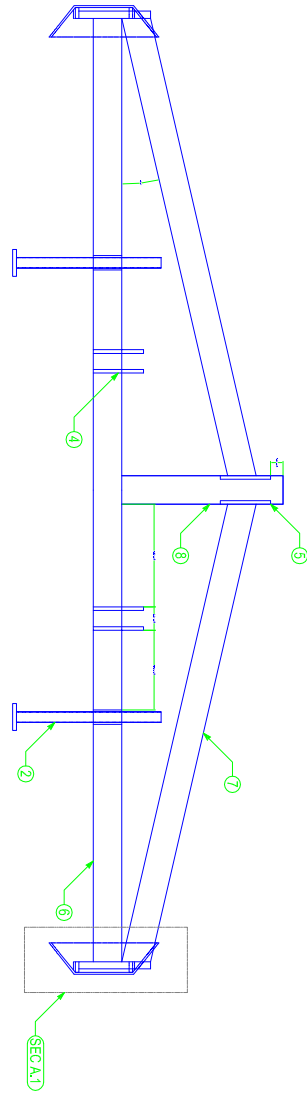
Frame Overview End



DATE: _____ DRAWN BY: _____ JOB NO: _____ SCALE: _____ SHEET: _____	RODALE CROP ROLLER	COMPANY ADDRESS CITY, STATE, ZIP BERKS TECHNICAL INSTITUTE DRAFTING DEPARTMENT 2205 RIDGEWOOD ROAD WYOMISSING, PA 19010 PHONE NO. (800)-821-4662	NO.	DATE	REVISIONS
	NOTES:				

8X SCALE

Frame two parts 6,7,8



OF SHEETS

DATE: _____
 DRAWN BY: _____
 JOB NO: _____
 SCALE: _____
 SHEET: _____

RODALE CROP ROLLER

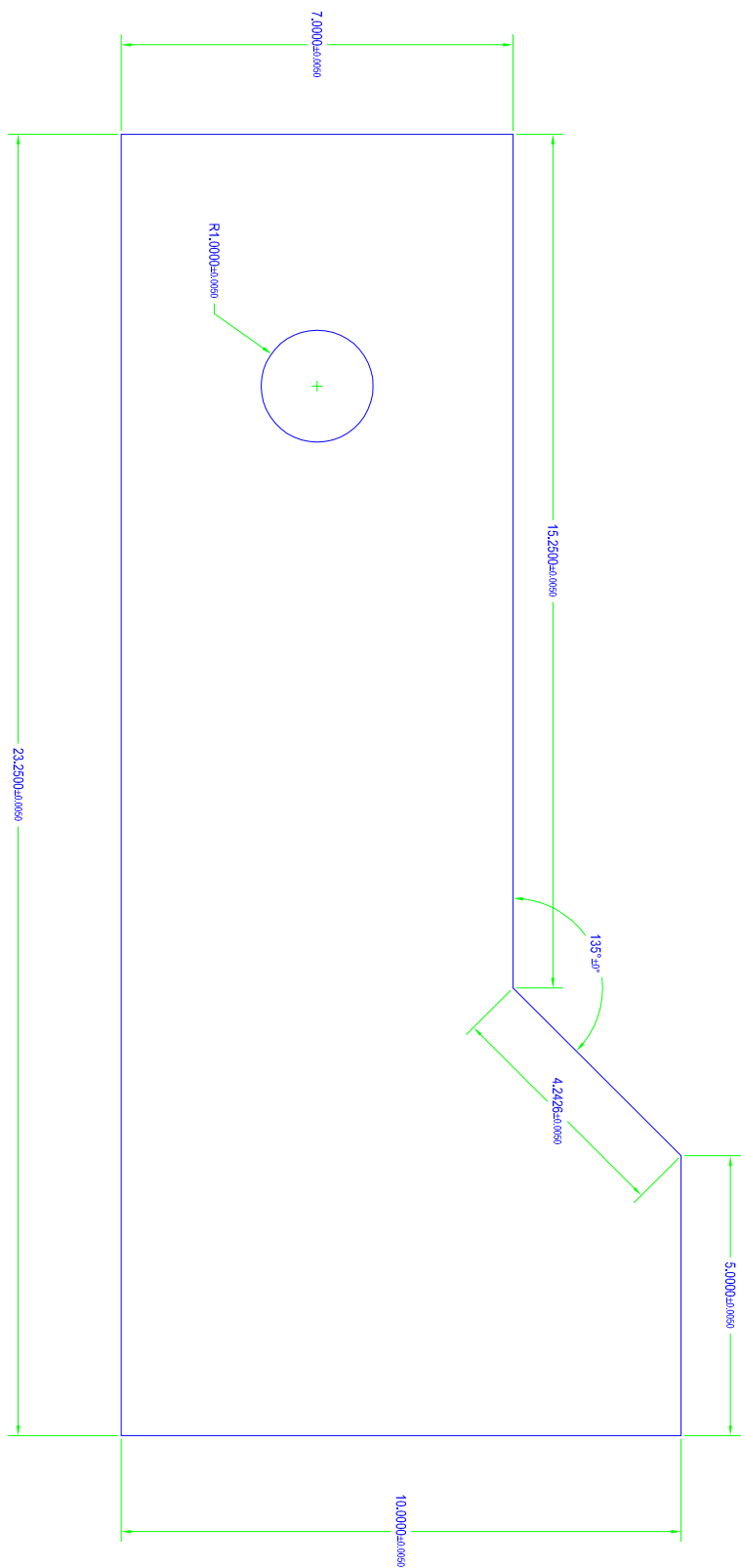
NOTES:

COMPANY
 ADDRESS
 CITY, STATE, ZIP
 BERKS TECHNICAL INSTITUTE
 DRAFTING DEPARTMENT
 2205 RIDGEWOOD ROAD
 WYOMISSING, PA. 19010
 PHONE NO. (800)-821-4662

NO.	DATE	REVISIONS

8X SCALE

Frame 3 part 1



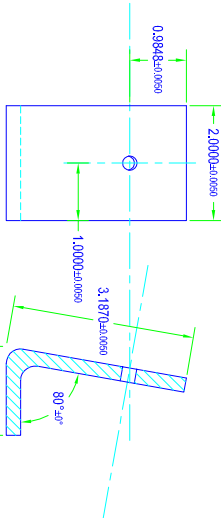
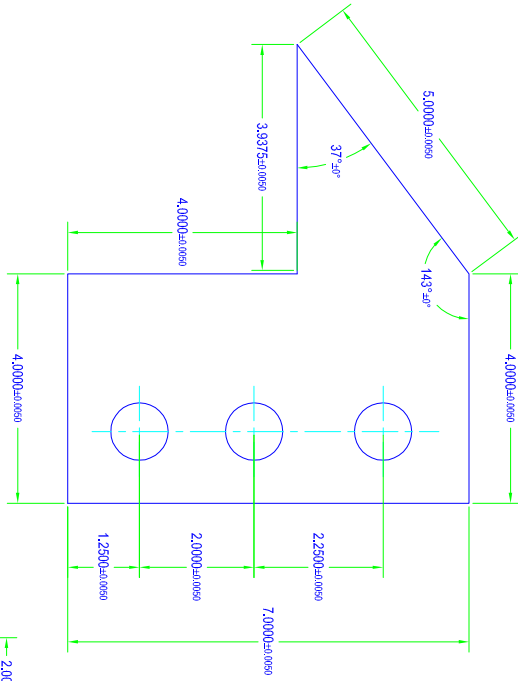
PART #1

DATE: _____ DRAWN BY: _____ JOB NO: _____ SCALE: _____ SHEET _____	RODALE CROP ROLLER	COMPANY ADDRESS CITY, STATE, ZIP BERKS TECHNICAL INSTITUTE DRAFTING DEPARTMENT 2205 RIDGEWOOD ROAD MYOESSING, PA 19510 PHONE NO. (800)821-4662	NO.	DATE	REVISIONS
	NOTES:				

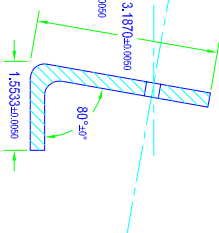
OF SHEETS

Frame 5 parts 4,5,R7

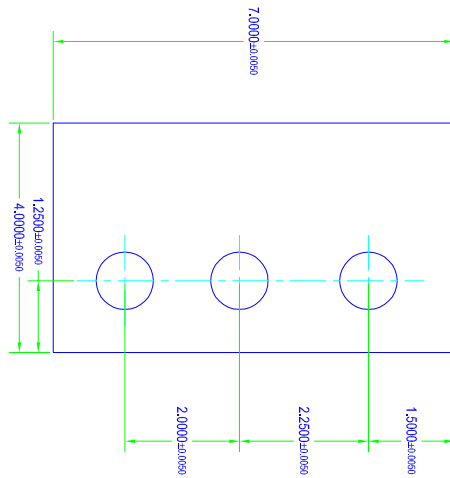
PART #5



PART #R7



PART #4



DATE: _____
 DRAWN BY: _____
 JOB NO: _____
 SCALE: _____
 SHEET: _____

RODALE CROP ROLLER

NOTES:

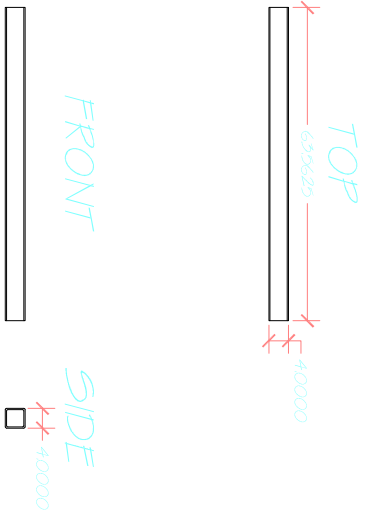
COMPANY
 ADDRESS
 CITY STATE, ZIP
 BERKS TECHNICAL INSTITUTE
 DRAFTING DEPARTMENT
 2205 RIDGEWOOD ROAD
 MYNERSBURG, PA 16810
 PHONE NO. (800)821-4662

NO.	DATE	REVISIONS

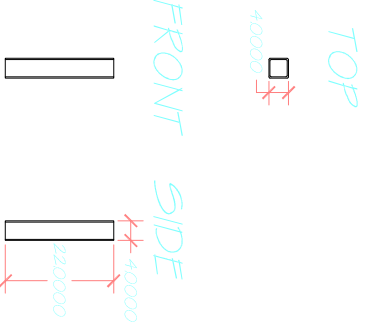
SHEETS

Frame tubing

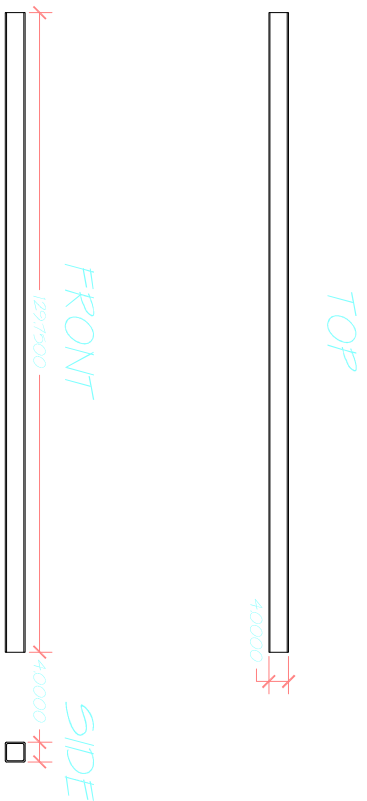
FRONT
ANGLED
BRACES



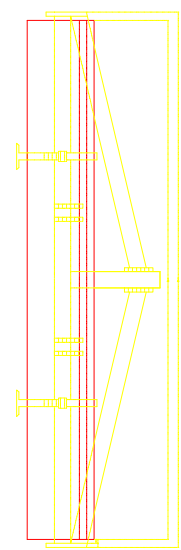
FRONT
MIDDLE
POST



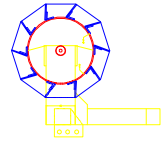
FRONT
BOTTOM
TUBE



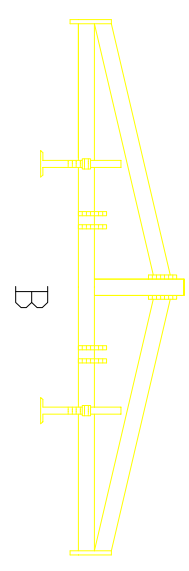
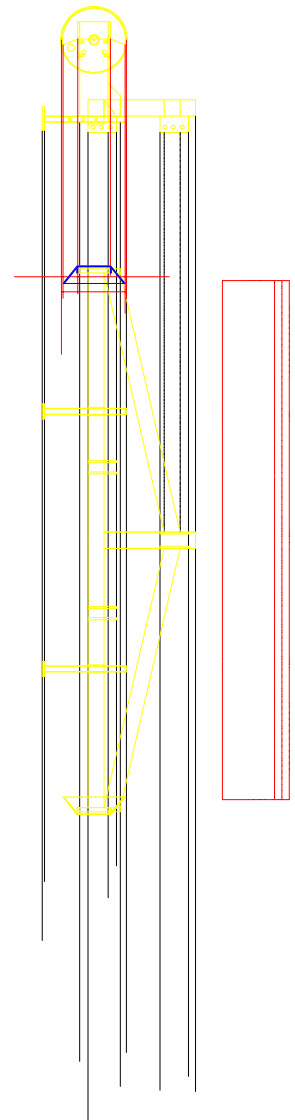
Mixed sketches F,R,B



F



R



B